

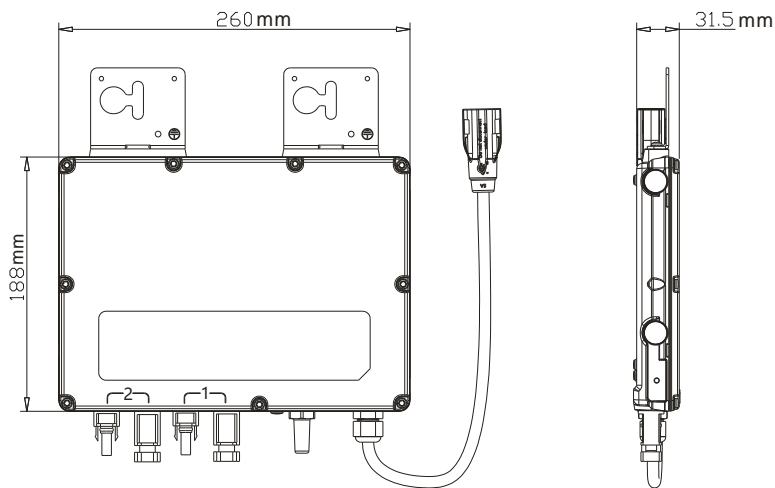


YC600

Microinverter

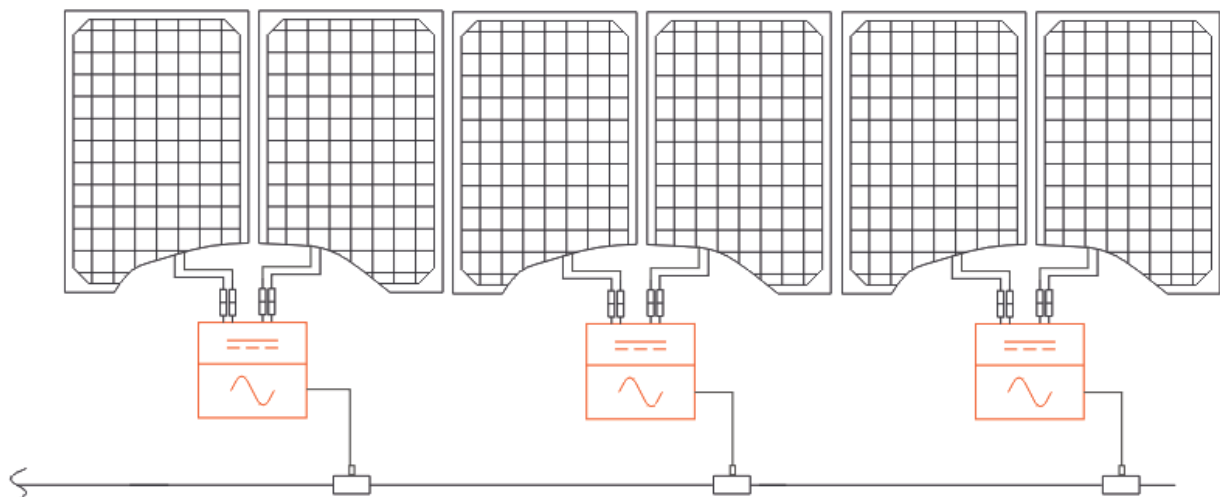
- Single unit connects two modules
- 2 input channels with independent MPPT and monitoring function
- Maximum AC output power 600VA
- Anti-islanding protection relay integrated
- Adjustable output power factor

DIMENSIONS



Our flagship new range of Grid-tied microinverters with Reactive Power Control (RPC) features includes the new YC600. The APsystems YC600 is a grid-tied microinverter with intelligent networking and advanced monitoring systems to ensure maximum efficiency. High efficiency, high reliability of the YC600 with 2 independent MPPT inputs, Maximum AC output power reaching 600VA. Half the inverters and half the installation means real cost savings for residential and commercial customers.

WIRING SCHEMATIC



YC600 Microinverter Datasheet

Region	EMEA
Model	YC600

Input Data (DC)

Recommended PV module power (STC) range	250Wp-340Wp / 60 and 72-cell PV modules
MPPT Voltage Range	22V-45V
Operation Voltage Range	16V-55V
Maximum Input Voltage	55V
Maximum Input Current	12A x 2

Output Data (AC)

Maximum Output Power	600 VA
Nominal Output Voltage	230V
Nominal Output Current	2.39A
Maximum Units per Branch (20A)	7 (14PV modules)
Nominal Output Frequency	50Hz
Power Factor	0.7 leading...0.7 lagging
Total Harmonic Distortion	<3%

Efficiency

Peak Efficiency	95.5%
Nominal MPPT Efficiency	99.5%
Night Power Consumption	20mW

Mechanical Data

Operating Ambient Temperature Range	-40 °C to +65 °C
Storage Temperature Range	-40 °C to +85 °C
Dimensions (W x H x D)	260mm X 188mm X 31.5mm
Weight	3.25kg
AC Bus Maximum Current	20A
Connector type	MC4
Cooling	Natural Convection - No Fans
Enclosure Environmental Rating	Outdoor - IP67
Overvoltage Category	OVC II For PV Input Circuit, OVC III For Mains Circuit

Features & Compliance

Communication (Inverter To ECU)	Zigbee
Transformer Design	High Frequency Transformers, Galvanically Isolated
Monitoring	Via EMA* Software
Safety And EMC Compliance	EN 62109-1; EN 62109-2; EN61000-6-1;EN61000-6-2; EN61000-6-3; EN61000-6-4;
Grid Connection Compliance	VDE0126-1-1/A1 VFR2014,ERDF-NOI-RES_13 ^E ; VDE AR-N 4105,
Waranty	10 years standard ; 20 years optional

© All Rights Reserved

*Energy Management Analysis

Specifications subject to change without notice - please ensure you are using the most recent update found at emea..APsystems.com

Rue des Monts dor ZAC de Follieuses Sud-Les Echets 01700 Miribel, France | +33-481 65 60 40 | APsystems.com | emea@APsystems.com